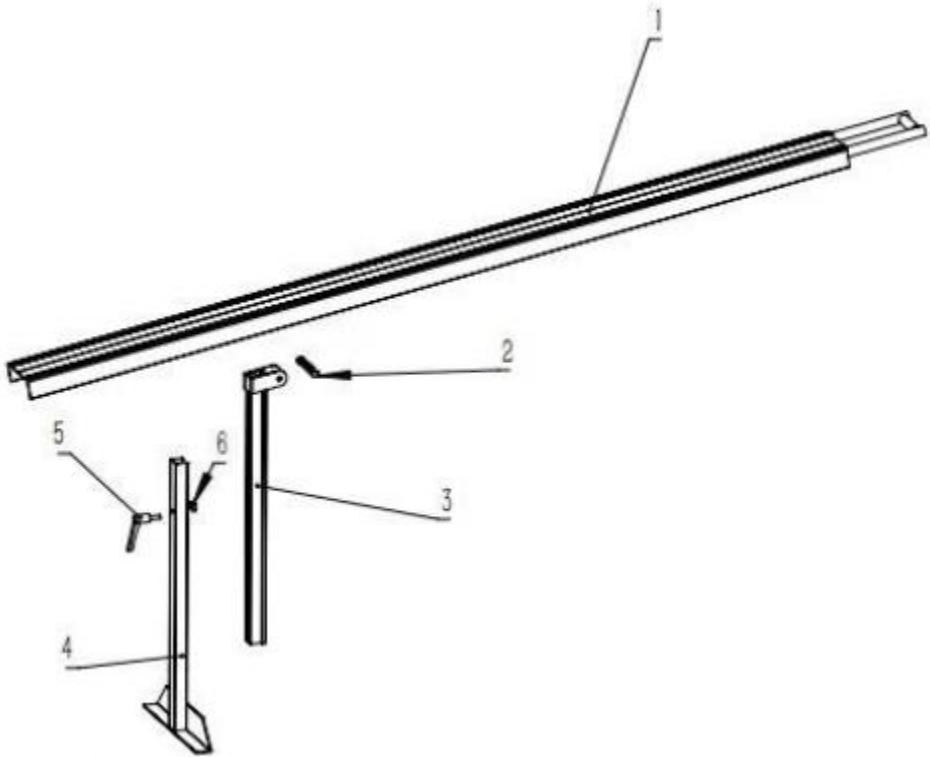


**..183792 BENCH MITRE SAW FOLDING EXTENSION 2.2M 2PK
DETROIT DETEXTARM2PK**



No.	Description	QTY	Pronto
	Extension		
1	Subassembly	1	..200227
2	Bolt M10X25	2	..200230
	Leg inside		
3	Subassembly	1	..200228
	Leg outside		
4	Subassembly	1	..200229
5	Handle screw	1	..200225
6	Square nut	1	..200226